

SERIES S SANITARY THERMOWELLS

Standard Threaded Well for 1/4 or 3/8" Diameter Elements

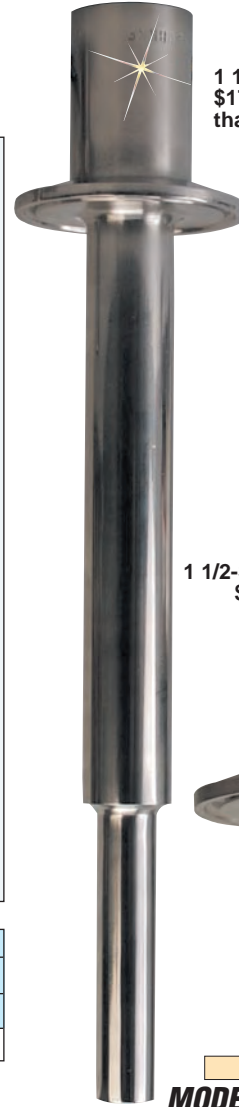
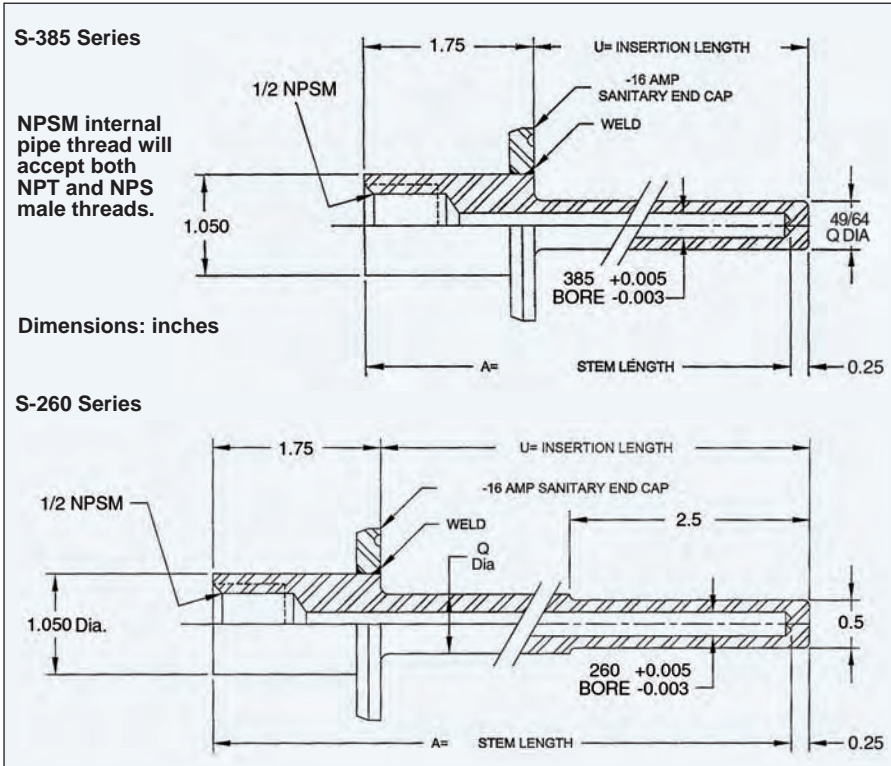


Application: 1/4 or 3/8" diameter stem, bimetal thermometers; temperature sensing elements having 0.252" (S-260 models) and 0.377" (S-385 models) maximum diameters, #20-gage thermocouple elements. Applications: food and beverage, pharmaceuticals, research.

Connection Size: 1 1/2" Tri-Grip™ (Tri-Clamp® compatible) (cap size) is standard. Other Tri-Grip™ sizes are available upon request.



Materials: 316 stainless steel. Custom wells are also available in special materials; prices on request.



1 1/2-S-260-U7 1/2-316SS, \$170, shown smaller than actual size.

1 1/2-S-385-U1 5/8-316SS, \$110, shown smaller than actual size.



MOST POPULAR MODELS HIGHLIGHTED!

Pressure-Temperature Rating—lb per square inch							
Material	Temperature — °F						
	70°	200°	400°	600°	800°	1000°	1200°
A.I.S.I.-316	7000	7000	6400	6200	6100	5100	2500

To Order (Specify Model Number)						
Model No.	Price	1 1/2" Tri-Grip™ 316 SS Well	Stem Length, A	Insertion Length, U	Shank Dia. Q	
S-260 Series 0.260 Bore Diameter						
1 1/2-S-260-U1 5/8-316SS	\$110	No Step Down	2 1/2	1 5/8	1/2	
1 1/2-S-260-U2 1/2-316SS	125	No Step Down	4	2 1/2	1/2	
1 1/2-S-260-U4 1/2-316SS	145	Step Down	6	4 1/2	3/4	
1 1/2-S-260-U7 1/2-316SS	170	Step Down	9	7 1/2	3/4	
1 1/2-S-260-U10 1/2-316SS	190	Step Down	12	10 1/2	3/4	
S-385 Series 0.385" Bore Diameter						
1 1/2-S-385-U1 5/8-316SS	\$110	No Step Down	2 1/2	1 5/8	49/64	
1 1/2-S-385-U2 1/2-316SS	125	No Step Down	4	2 1/2	49/64	
1 1/2-S-385-U4 1/2-316SS	145	No Step Down	6	4 1/2	49/64	
1 1/2-S-385-U7 1/2-316SS	170	No Step Down	9	7 1/2	49/64	
1 1/2-S-385-U10 1/2-316SS	190	No Step Down	12	10 1/2	49/64	

Ordering Examples: 1 1/2-S-260-U2 1/2-316SS, 1 1/2" Tri-Grip™ 316 SS sanitary well with 2 1/2" insertion length and 0.260" internal diameter, \$125.
 1 1/2-S-260-U4 1/2-316SS, 1 1/2" Tri-Grip™ 316 SS step down sanitary well with 4 1/2" insertion length and 0.260" internal diameter, \$145.
 1 1/2-S-260-U7 1/2-316SS, 1 1/2" Tri-Grip™ 316 SS sanitary well with 7 1/2" insertion length and 0.260" internal diameter, \$170.

omega.co.uk[®]

Your One-Stop Source for Process Measurement and Control!

Freephone 0800 488 488 | International +44(0) 161 777 6622 | Fax +44(0) 161 777 6622 | Sales@omega.co.uk

www.omega.co.uk



UNITED STATES

www.omega.com

1-800-TC-OMEGA
Stamford, CT.

UNITED KINGDOM

www.omega.co.uk

Manchester, England
0800-488-488
+44-(0)161-777-6611

CANADA

www.omega.ca

Laval(Quebec)
1-800-TC-OMEGA

FRANCE

www.omega.fr

0800-466-342

GERMANY

www.omega.de

Deckenfronn, Germany
0800-8266342

BENELUX

www.omega.nl

0800-099-33-44



More than 100,000 Products Available!

• Temperature

Calibrators, Connectors, General Test and Measurement Instruments, Handheld Instruments for Temperature Measurement, Ice Point References, Indicating Labels, Crayons, Cements and Lacquers, Infrared Temperature Measurement Instruments, Recorders, Relative Humidity Measurement Instruments, PT100 Probes, PT100 Elements, Temperature & Process Meters, Timers and Counters, Temperature and Process Controllers and Power Switching Devices, Thermistor Elements, Probes and Assemblies, Thermocouples, Thermowells and Head and Well Assemblies, Transmitters, Thermocouple Wire, RTD Probes

• Flow and Level

Air Velocity Indicators, Doppler Flowmeters, Level Measurement, Magnetic Flowmeters, Mass Flowmeters, Pitot Tubes, Pumps, Rotameters, Turbine and Paddle Wheel Flowmeters, Ultrasonic Flowmeters, Valves, Variable Area Flowmeters, Vortex Shedding Flowmeters

• pH and Conductivity

Conductivity Instrumentation, Dissolved Oxygen Instrumentation, Environmental Instrumentation, pH Electrodes and Instruments, Water and Soil Analysis Instrumentation

• Data Acquisition

Communication Products and Converters, Data Acquisition and Analysis Software, Data Loggers Plug-in Cards, Signal Conditioners, USB, RS232, RS485, Ethernet and Parallel Port Data Acquisition Systems, Wireless Transmitters and Receivers

• Pressure, Strain and Force

Displacement Transducers, Dynamic Measurement Force Sensors, Instrumentation for Pressure and Strain Measurements, Load Cells, Pressure Gauges, Pressure Reference Section, Pressure Switches, Pressure Transducers, Proximity Transducers, Regulators, Pressure Transmitters, Strain Gauges, Torque Transducers, Valves

• Heaters

Band Heaters, Cartridge Heaters, Circulation Heaters, Comfort Heaters, Controllers, Meters and Switching Devices, Flexible Heaters, General Test and Measurement Instruments, Heater Hook-up Wire, Heating Cable Systems, Immersion Heaters, Process Air and Duct, Heaters, Radiant Heaters, Strip Heaters, Tubular Heaters