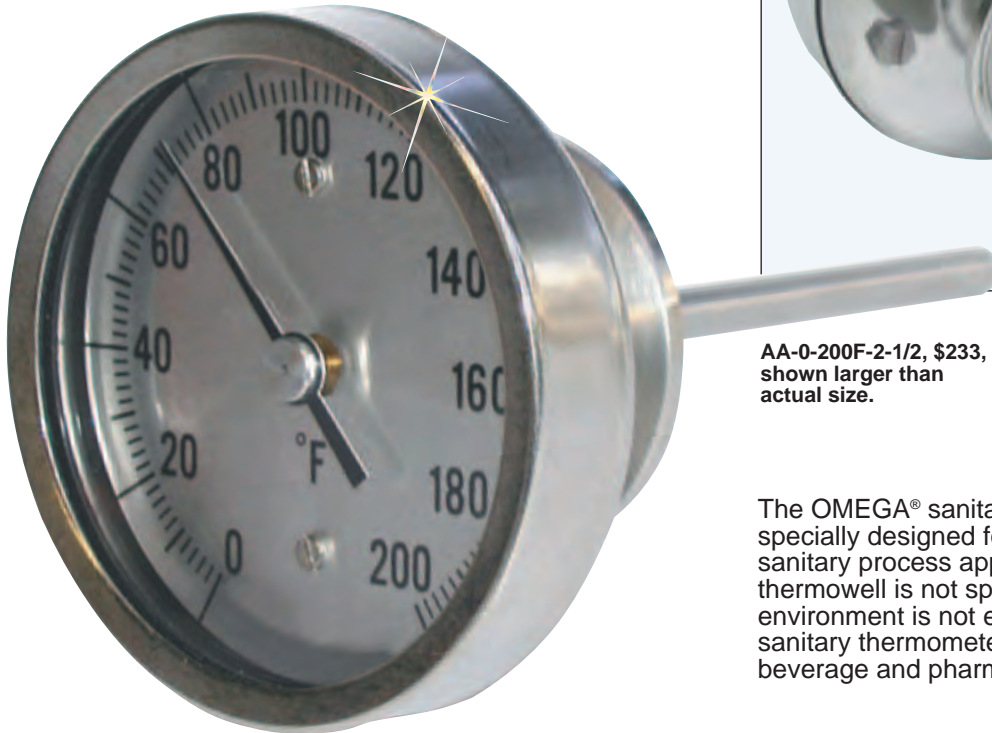




SANITARY DIAL THERMOMETERS

Starts at
\$233

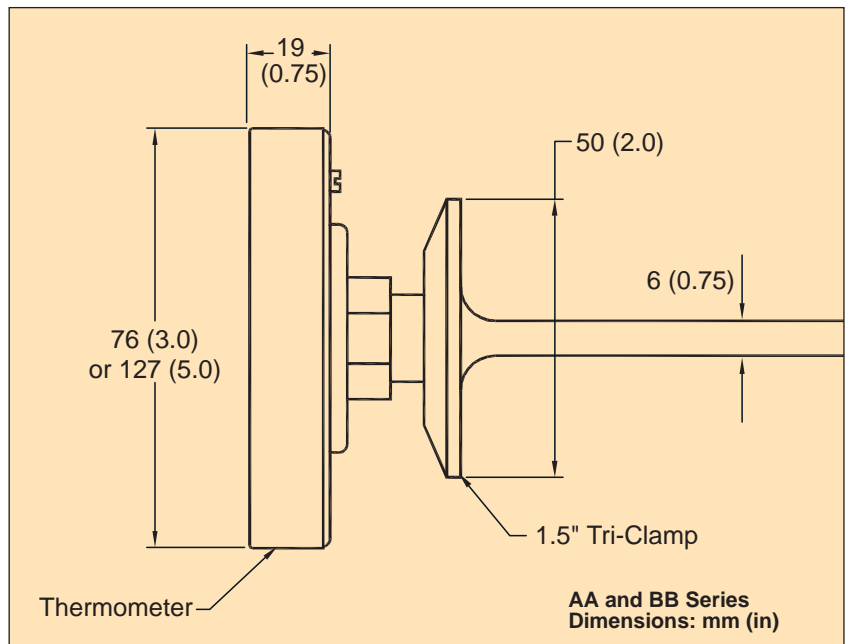


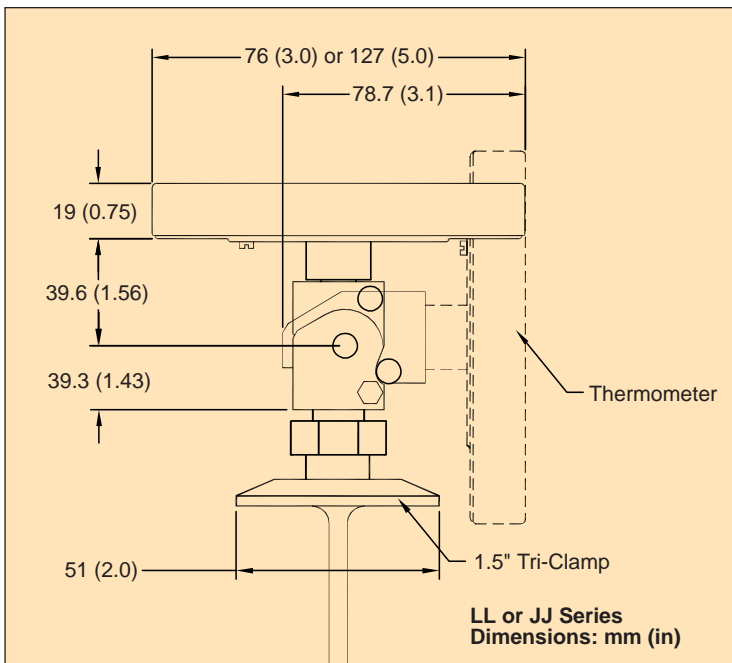
AA-0-200F-2-1/2, \$233, shown larger than actual size.

The OMEGA® sanitary bimetal thermometer is specially designed for direct insertion into sanitary process applications when a standard thermowell is not specified or the process environment is not exposed to pressure. The sanitary thermometer is ideal for the food, beverage and pharmaceutical industries.

- ✓ All 316/316L SS Wetted Parts
- ✓ All Welded Construction
- ✓ Easy to Calibrate Reset Screw
- ✓ 3-A Certified Design
- ✓ Hermetically Sealed
- ✓ 32 Ra Max on All Wetted Surfaces
- ✓ Standard Connection: 1½" Tri-Grip™ (Tri-Clamp® Compatible)
- ✓ 6 mm (¼") Standard Stem Diameter
- ✓ Glass Lens Standard
- ✓ Standard Lengths From 2½ to 15"

† Refer to footnote on page S-28 for NIST calibration ordering information.





Temperature Range Table

Fahrenheit		Celsius		Dual	
Range	Div.	Range	Div.	Range	Div.
-40 to 160°F	2°	-40 to 70°C	1°	-40 to 160°F	2°
25 to 125°F**	1°	0 to 50°C**	1°	-40 to 70°C	1°
0 to 200°F	2°	0 to 100°C	2°	25 to 125°F**	1°
0 to 250°F	2°	-20 to 120°C	1°	-5 to 50°C	1°
50 to 300°F	2°	0 to 150°C	1°	0 to 200°F	2°
50 to 500°F	5°	0 to 250°C	5°	-10 to 90°C	1°
150 to 750°F	10°	50 to 400°C	5°	0 to 250°F	2°
				-20 to 120°C	2°
				50 to 300°F	2°
				10 to 150°C	2°
				50 to 500°F	5°
				10 to 260°C	5°
				150 to 750°F	10°
				70 to 400°C	5°

** 4" minimum stem length.

To order AA, BB, LL or JJ models, specify:

Model - Range - Stem Length - Options

Ordering Examples:

AA-40-160F-2-1/2, 76 mm (3") dial, 25 to 38 mm (1 to 1.5") Tri-Grip™, 64 mm (2.5") long, -40 to 160°F, **\$233**.

BB-40-160F-4-SF, 127 mm (5"), 102 mm (4") long, -40 to 160°F, optional silicone filled dial, \$265 + 50 = **\$315**.

LL-40-160F-6, 76 mm (3") adjustable dial, 152 mm (6") long, -40 to 160°F, **\$311**.

JJ-0-200F-10-90C-12, 127 mm (5") adjustable dial, 305 mm (12") long, dual range, 0 to 200°F and -10 to 90°C, **\$353**.



JJ-0-200F-2-1/2, \$301, shown smaller than actual size.

Options

Suffix	Add'l Price	Description
-SF	\$50	Silicone filled
-PY	7	Polycarbonate window
-R20	40 + \$3 per inch	Ra20 max wetted finish
-NIST†	100	3 point NIST calibration certificate

MOST POPULAR MODELS HIGHLIGHTED!

Standard Stem Length									
Dial Size	Mount	1 or 1.5" Tri-Grip™ Models	Temperature Range	Length (L)					
				2½"	4"	6"	9"	12"	15"
76 mm (3")	Back connected	AA-(*)-(**)	Select from table above	\$233	\$233	\$243	\$251	\$261	\$274
127 mm (5")	Back connected	BB-(*)-(**)	Select from table above	265	265	275	283	293	306
76 mm (3")	Adjustable angle	LL-(*)-(**)	Select from table above	301	301	311	329	329	342
127 mm (5")	Adjustable angle	JJ-(*)-(**)	Select from table above	325	325	335	343	353	366

* Specify temperature range from table above.

* Specify length (L) 2½, 4, 6, 9, 12 or 15.

omega.co.uk[®]

Your One-Stop Source for Process Measurement and Control!

Freephone 0800 488 488 | International +44(0) 161 777 6622 | Fax +44(0) 161 777 6622 | Sales@omega.co.uk

www.omega.co.uk



UNITED STATES

www.omega.com

1-800-TC-OMEGA
Stamford, CT.

UNITED KINGDOM

www.omega.co.uk

Manchester, England
0800-488-488
+44-(0)161-777-6611

CANADA

www.omega.ca

Laval(Quebec)
1-800-TC-OMEGA

FRANCE

www.omega.fr

0800-466-342

GERMANY

www.omega.de

Deckenfronn, Germany
0800-8266342

BENELUX

www.omega.nl

0800-099-33-44



More than 100,000 Products Available!

• Temperature

Calibrators, Connectors, General Test and Measurement Instruments, Handheld Instruments for Temperature Measurement, Ice Point References, Indicating Labels, Crayons, Cements and Lacquers, Infrared Temperature Measurement Instruments, Recorders, Relative Humidity Measurement Instruments, PT100 Probes, PT100 Elements, Temperature & Process Meters, Timers and Counters, Temperature and Process Controllers and Power Switching Devices, Thermistor Elements, Probes and Assemblies, Thermocouples, Thermowells and Head and Well Assemblies, Transmitters, Thermocouple Wire, RTD Probes

• Flow and Level

Air Velocity Indicators, Doppler Flowmeters, Level Measurement, Magnetic Flowmeters, Mass Flowmeters, Pitot Tubes, Pumps, Rotameters, Turbine and Paddle Wheel Flowmeters, Ultrasonic Flowmeters, Valves, Variable Area Flowmeters, Vortex Shedding Flowmeters

• pH and Conductivity

Conductivity Instrumentation, Dissolved Oxygen Instrumentation, Environmental Instrumentation, pH Electrodes and Instruments, Water and Soil Analysis Instrumentation

• Data Acquisition

Communication Products and Converters, Data Acquisition and Analysis Software, Data Loggers Plug-in Cards, Signal Conditioners, USB, RS232, RS485, Ethernet and Parallel Port Data Acquisition Systems, Wireless Transmitters and Receivers

• Pressure, Strain and Force

Displacement Transducers, Dynamic Measurement Force Sensors, Instrumentation for Pressure and Strain Measurements, Load Cells, Pressure Gauges, Pressure Reference Section, Pressure Switches, Pressure Transducers, Proximity Transducers, Regulators, Pressure Transmitters, Strain Gauges, Torque Transducers, Valves

• Heaters

Band Heaters, Cartridge Heaters, Circulation Heaters, Comfort Heaters, Controllers, Meters and Switching Devices, Flexible Heaters, General Test and Measurement Instruments, Heater Hook-up Wire, Heating Cable Systems, Immersion Heaters, Process Air and Duct, Heaters, Radiant Heaters, Strip Heaters, Tubular Heaters