

# Solid State Relays AC/DC Input; 10, 25, 40, 75 A, 330 Vac Output; 50 and 75 A, 660 Vac Output

SSR330 Series  
Starts at  
**\$21**



- Optically Isolated
- LED Status Indicator
- Clear Plastic Safety Cover Included
- 4000 Volt Isolation
- Zero Voltage Turn-On
- Built-In Snubber
- High Surge Capability
- 100% Tested at Rated Current

OMEGA's SSR330 and SSR660 Series solid state relays are single-pole, normally open switching devices with no moving parts, capable of millions of cycles of operation. By applying a control signal, the SSR switches "on" the AC load current, just as moving contacts do on a mechanical contactor.

"Switching" takes place at the 0 voltage crossover point of the alternating current cycle. Because of this, no appreciable noise is generated. Both DC and AC input control signal models are available.



SSR33DC10, \$21, shown smaller than actual size.

## DC Control Specifications

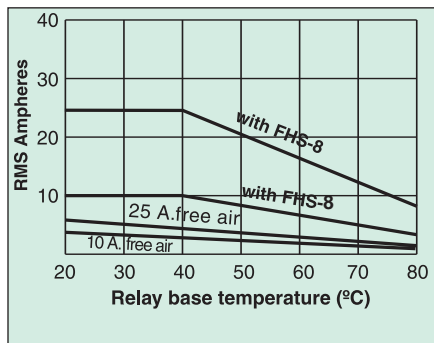
Model Number	Line Voltage Range (Vac)	Load Current Range (Arms)	Min Control Voltage and Current Draw	Max Control Voltage and Current Draw	Release Voltage (Vdc)
SSR330DC10	24 to 330	0.05 to 10	4 Vdc/5.4 mA	32 Vdc/10 mA	1
SSR330DC25	24 to 330	0.10 to 25	4 Vdc/5.4 mA	32 Vdc/10 mA	1
SSR330DC50	24 to 330	0.10 to 50	4 Vdc/3.5 mA	32 Vdc/8 mA	1
SSR330DC75	24 to 330	0.10 to 75	4 Vdc/3.5 mA	32 Vdc/8 mA	1
SSR660DC50	24 to 660	0.10 to 50	4 Vdc/3.5 mA	32 Vdc/8 mA	1
SSR660DC75	24 to 660	0.10 to 75	4 Vdc/3.5 mA	32 Vdc/8 mA	1

## AC Control Specifications

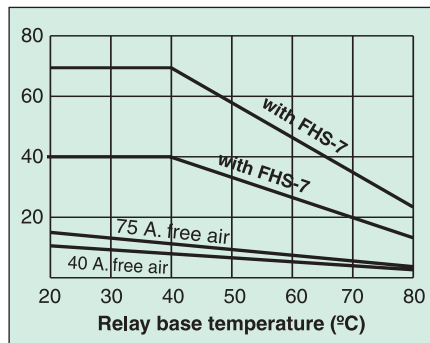
Model Number	Line Voltage Range (Vac)	Load Current Range (Arms)	Min Control Voltage and Current Draw	Max Control Voltage and Current Draw	Release Voltage (Vac)
SSR330AC10	24 to 330	0.05 to 10	100 Vac/2.5 mA	280 Vac/19 mA	20
SSR330AC25	24 to 330	0.10 to 25	100 Vac/2.5 mA	280 Vac/19 mA	20
SSR330AC50	24 to 330	0.10 to 50	100 Vac/2.5 mA	280 Vac/19 mA	20
SSR330AC75	24 to 330	0.15 to 75	100 Vac/2.5 mA	280 Vac/19 mA	20
SSR660AC50	24 to 660	0.15 to 50	100 Vac/2.5 mA	280 Vac/19 mA	20
SSR660AC75	24 to 660	0.15 to 75	100 Vac/2.5 mA	280 Vac/19 mA	20

## Derating Curves

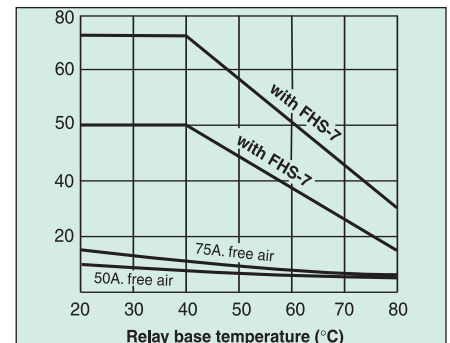
10 and 25 A (330 Vac)



40 and 75 A (330 Vac)



50 and 75 A (660 Vac)



Heat is developed in a solid state relay due to the nominal voltage drop across the switching device. To dissipate the heat, an SSR must be mounted vertically on a finned heat sink or an aluminum plate. An SSR should be located where the ambient temperature is relatively low, since the current switching rating is lowered as temperature increases. Refer to the thermal derating curves shown on the previous page to determine the proper heat sink required.

Solid state relay cycle life is many times that of an equivalently priced mechanical contactor. OMEGA® recommends solid state relays for use with proportional temperature controllers and other applications where long life and solid state reliability are needed.

In contrasting solid state relays with mechanical contactors, it should be noted that a solid state relay is more prone to failure due to overload and improper initial wiring. Solid state relays can fail, contact closed, on overloaded circuits.

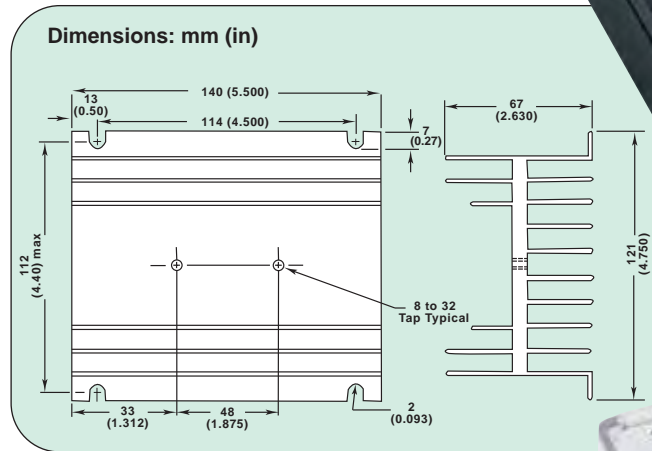
OMEGA® finned heat sinks (FHS) are aluminum fabrications and come complete with tapped mounting holes and screws. Refer to thermal derating curves for heat sink selection.

SSR baseplate to heat sink thermal resistance is affected by use of a thermally conducting compound. OMEGATHERM® OT-201 placed between the heat sink and SSR baseplate will significantly improve the thermal conductivity. It is also suggested that 10"lb of torque be used on the SSR mounting screws.

SSR33DC10, \$21, shown smaller than actual size.



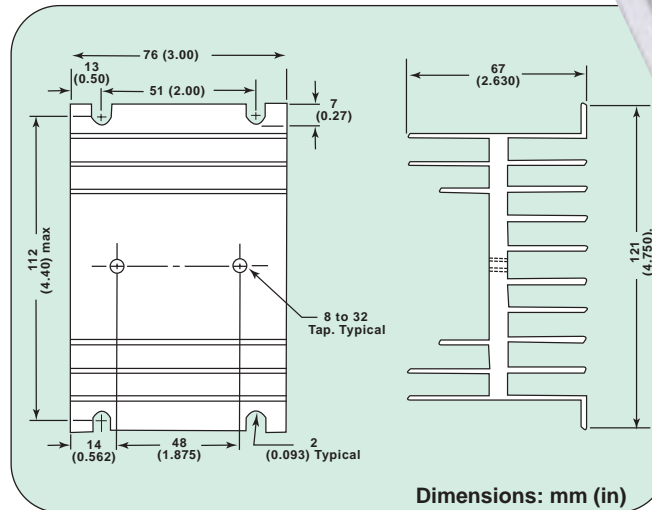
FHS-7 Finned Heat Sink



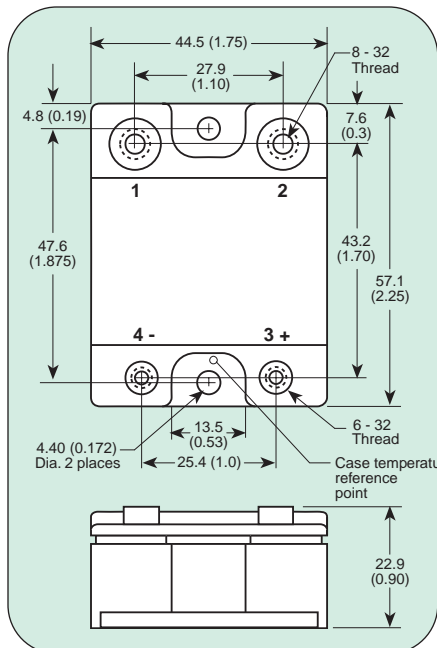
**SAFETY COVER INCLUDED!**



FHS-8 Finned Heat Sink



**SSR330 Series**



**MOST POPULAR MODELS HIGHLIGHTED!**

<b>To Order (Specify Model Number)</b>			
Model Number	Price	Description	Nominal Rating
SSR330DC10	\$21	DC control signal (330 Vac line)	10 A
SSR330DC25	26		25 A
SSR330DC50	37		40 A
SSR330DC75	61	DC control signal (660 Vac line)	75 A
SSR660DC50	45		50 A
SSR660DC75	65		75 A
SSR330AC10	25	AC control signal (330 Vac line)	10 A
SSR330AC25	30		25 A
SSR330AC50	40		40 A
SSR330AC75	65	AC control signal (660 Vac line)	75 A
SSR660AC50	48		50 A
SSR660AC75	69		75 A
FHS-7	30	Finned heat sink	1.0°C/W
FHS-8	20	Finned heat sink	1.5°C/W

Comes with operator's manual.  
Ordering Example: SSR330DC50, DC control signal, 40 A solid-state relay, \$37.



# omega.co.uk<sup>®</sup>

Your One-Stop Source for Process Measurement and Control!

Freephone 0800 488 488 | International +44(0) 161 777 6622 | Fax +44(0) 161 777 6622 | Sales@omega.co.uk

[www.omega.co.uk](http://www.omega.co.uk)



#### UNITED STATES

[www.omega.com](http://www.omega.com)

1-800-TC-OMEGA  
Stamford, CT.

#### UNITED KINGDOM

[www.omega.co.uk](http://www.omega.co.uk)

Manchester, England  
0800-488-488  
+44-(0)161-777-6611

#### CANADA

[www.omega.ca](http://www.omega.ca)

Laval(Quebec)  
1-800-TC-OMEGA

#### FRANCE

[www.omega.fr](http://www.omega.fr)

0800-466-342

#### GERMANY

[www.omega.de](http://www.omega.de)

Deckenfronn, Germany  
0800-8266342

#### BENELUX

[www.omega.nl](http://www.omega.nl)

0800-099-33-44



## More than 100,000 Products Available!

### • Temperature

Calibrators, Connectors, General Test and Measurement Instruments, Handheld Instruments for Temperature Measurement, Ice Point References, Indicating Labels, Crayons, Cements and Lacquers, Infrared Temperature Measurement Instruments, Recorders, Relative Humidity Measurement Instruments, PT100 Probes, PT100 Elements, Temperature & Process Meters, Timers and Counters, Temperature and Process Controllers and Power Switching Devices, Thermistor Elements, Probes and Assemblies, Thermocouples, Thermowells and Head and Well Assemblies, Transmitters, Thermocouple Wire, RTD Probes

### • Flow and Level

Air Velocity Indicators, Doppler Flowmeters, Level Measurement, Magnetic Flowmeters, Mass Flowmeters, Pitot Tubes, Pumps, Rotameters, Turbine and Paddle Wheel Flowmeters, Ultrasonic Flowmeters, Valves, Variable Area Flowmeters, Vortex Shedding Flowmeters

### • pH and Conductivity

Conductivity Instrumentation, Dissolved Oxygen Instrumentation, Environmental Instrumentation, pH Electrodes and Instruments, Water and Soil Analysis Instrumentation

### • Data Acquisition

Communication Products and Converters, Data Acquisition and Analysis Software, Data Loggers Plug-in Cards, Signal Conditioners, USB, RS232, RS485, Ethernet and Parallel Port Data Acquisition Systems, Wireless Transmitters and Receivers

### • Pressure, Strain and Force

Displacement Transducers, Dynamic Measurement Force Sensors, Instrumentation for Pressure and Strain Measurements, Load Cells, Pressure Gauges, Pressure Reference Section, Pressure Switches, Pressure Transducers, Proximity Transducers, Regulators, Pressure Transmitters, Strain Gauges, Torque Transducers, Valves

### • Heaters

Band Heaters, Cartridge Heaters, Circulation Heaters, Comfort Heaters, Controllers, Meters and Switching Devices, Flexible Heaters, General Test and Measurement Instruments, Heater Hook-up Wire, Heating Cable Systems, Immersion Heaters, Process Air and Duct, Heaters, Radiant Heaters, Strip Heaters, Tubular Heaters