

3-Phase DIN Rail Mount Solid State Relays AC/DC Input; 30 A, 660 Vac Output

- Integrated Heat Sink
- Mounts on DIN Rail or Panel
- Optically Isolated
- Safe to the Touch
- 1200 V Blocking Voltage
- Zero Voltage Turn-On
- 4000 V Isolation
- Built-In Snubber
- LED Indicator

SSR3PH Series
Starts at
\$145

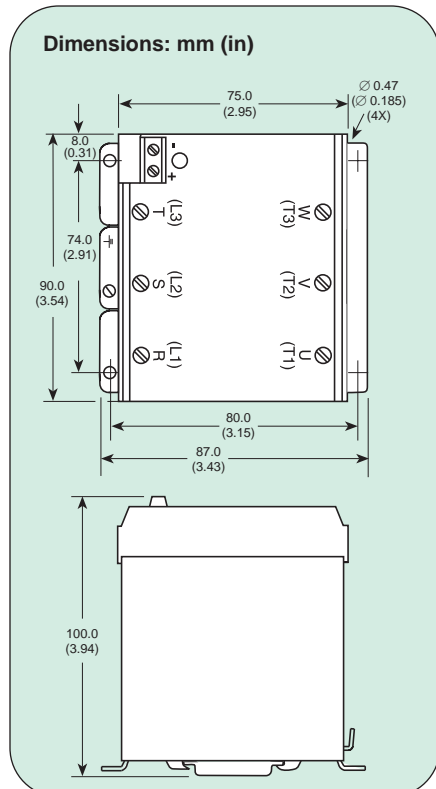


SSR3PH660DC30, \$145, shown smaller than actual size.

OMEGA's SSR3PH Series 3-phase solid state relay is a fully integrated device with heat sink and DIN rail mounting plate in a space-saving design. Each unit is touch safe with LED input indication. This normally open, zero crossing device is capable of millions of cycles of operation. Dual SCR's provide a high level of reliability, capable of handling higher overloads than triacs. This 3-phase solid state relay is designed for switching power to 3-phased asynchronous motors and to resistive loads.

MOST POPULAR MODEL HIGHLIGHTED!

To Order (Specify Model Number)			
Model Number	Price	Description	Nominal Rating
SSR3PH660DC30	\$145	DC control signal (660 Vac line)	30 A /phase
SSR3PH660AC30	153	AC control signal (660 Vac line)	30 A /phase

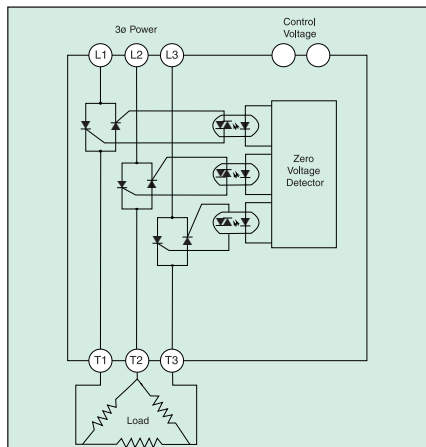


DC Control Specifications

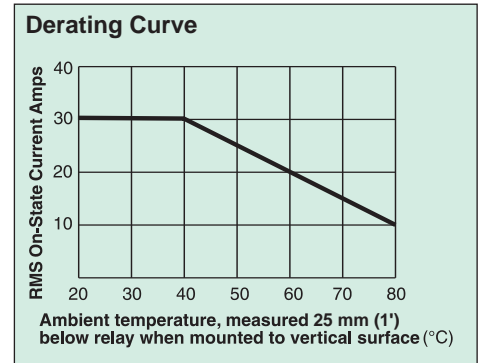
Model Number	Line Voltage Range (Vac)	Load Current Range (Arms)	Min Control Voltage and Current Draw	Max Control Voltage and Current Draw	Release Voltage (Vdc)
SSR3PH660DC30	24 to 660	0.1 to 30	4 Vdc/10 mA	32 Vdc/15 mA	1

AC Control Specifications

Model Number	Line Voltage Range (Vac)	Load Current Range (Arms)	Min Control Voltage and Current Draw	Max Control Voltage and Current Draw	Release Voltage (Vac)
SSR3PH660AC30	48 to 660	0.05 to 30	100 Vac/10 mA	280 Vac/33 mA	20



Comes with complete operator's manual.
Ordering Example: SSR3PH660DC30, DC relay, \$145.



omega.co.uk[®]

Your One-Stop Source for Process Measurement and Control!

Freephone 0800 488 488 | International +44(0) 161 777 6622 | Fax +44(0) 161 777 6622 | Sales@omega.co.uk

www.omega.co.uk



UNITED STATES

www.omega.com

1-800-TC-OMEGA
Stamford, CT.

UNITED KINGDOM

www.omega.co.uk

Manchester, England
0800-488-488
+44-(0)161-777-6611

CANADA

www.omega.ca

Laval(Quebec)
1-800-TC-OMEGA

FRANCE

www.omega.fr

0800-466-342

GERMANY

www.omega.de

Deckenfronn, Germany
0800-8266342

BENELUX

www.omega.nl

0800-099-33-44



More than 100,000 Products Available!

• Temperature

Calibrators, Connectors, General Test and Measurement Instruments, Handheld Instruments for Temperature Measurement, Ice Point References, Indicating Labels, Crayons, Cements and Lacquers, Infrared Temperature Measurement Instruments, Recorders, Relative Humidity Measurement Instruments, PT100 Probes, PT100 Elements, Temperature & Process Meters, Timers and Counters, Temperature and Process Controllers and Power Switching Devices, Thermistor Elements, Probes and Assemblies, Thermocouples, Thermowells and Head and Well Assemblies, Transmitters, Thermocouple Wire, RTD Probes

• Flow and Level

Air Velocity Indicators, Doppler Flowmeters, Level Measurement, Magnetic Flowmeters, Mass Flowmeters, Pitot Tubes, Pumps, Rotameters, Turbine and Paddle Wheel Flowmeters, Ultrasonic Flowmeters, Valves, Variable Area Flowmeters, Vortex Shedding Flowmeters

• pH and Conductivity

Conductivity Instrumentation, Dissolved Oxygen Instrumentation, Environmental Instrumentation, pH Electrodes and Instruments, Water and Soil Analysis Instrumentation

• Data Acquisition

Communication Products and Converters, Data Acquisition and Analysis Software, Data Loggers Plug-in Cards, Signal Conditioners, USB, RS232, RS485, Ethernet and Parallel Port Data Acquisition Systems, Wireless Transmitters and Receivers

• Pressure, Strain and Force

Displacement Transducers, Dynamic Measurement Force Sensors, Instrumentation for Pressure and Strain Measurements, Load Cells, Pressure Gauges, Pressure Reference Section, Pressure Switches, Pressure Transducers, Proximity Transducers, Regulators, Pressure Transmitters, Strain Gauges, Torque Transducers, Valves

• Heaters

Band Heaters, Cartridge Heaters, Circulation Heaters, Comfort Heaters, Controllers, Meters and Switching Devices, Flexible Heaters, General Test and Measurement Instruments, Heater Hook-up Wire, Heating Cable Systems, Immersion Heaters, Process Air and Duct, Heaters, Radiant Heaters, Strip Heaters, Tubular Heaters