



FULLY INTEGRATED “INTELLIGENT” SOLID STATE RELAYS

AC/DC INPUT; 50, 75, 100 A, 660 VAC OUTPUT



Shown smaller than actual size.

SSRINT660DC50, £83.

SSRINT660DC75, £129.

SSRINT660DC100, £253.

SSRINT660 Series Starts at £83



- **Integrated Heat Sink**
- **Built-In, Replaceable Semiconductor Fuse**
- **Automatic Shutdown on Overtemperature**
- **Mounts on DIN Rail or Panel**
- **Optically Isolated**
- **Safe to the Touch**
- **1200 V Blocking Voltage**
- **4000 V Isolation**
- **Zero Voltage Turn-On**
- **Built-In Snubber**
- **LED Indicator (Function and Alarm)**

OMEGA's SSRINT Series "intelligent" solid state relays are fully integrated with heat sink and DIN rail mounting plate in a space to saving design. They are touch-safe with LED input indication. All units come with built-in,

replaceable semiconductor fuses. LED's indicate fuse failure. These "intelligent" relays automatically shut down when in over-temperature conditions. When returned to normal operating temperatures, the relay will turn back on. "Intelligent" relays are single pole, normally open devices, capable of millions of cycles of operation. Dual SCR's provide a high level of reliability.

Switching takes place at the 0 voltage crossover point of the alternating current cycle. Because of this, no appreciable

electrical noise is generated, making SSR's ideal for environments where there are apparatuses susceptible to RFI.

Although these relays have integrated heat sinks, SSR's should be located where the ambient temperature is relatively low, since the current switching rating is lowered as the temperature increases (see derating curves). Another SSR characteristic is a small leakage of current across the output when the relay is open. Because of this, a voltage will always exist on the load side of the device.

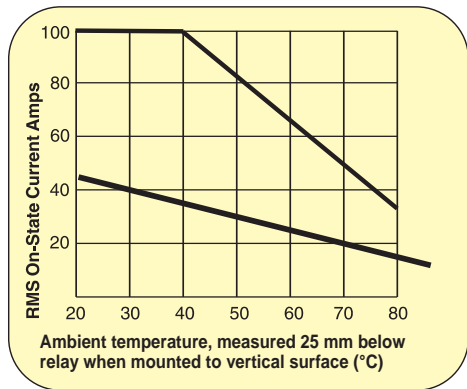
DC Control Specifications

| Model Number | Line Voltage Range (Vac) | Load Current Range (Arms) | Min Control Voltage and Current Draw | Max Control Voltage and Current Draw | Release Voltage (Vdc) |
|---------------|--------------------------|---------------------------|--------------------------------------|--------------------------------------|-----------------------|
| SSRINT660DC50 | 48 to 660 | 0.05 to 50 | 4 Vdc/6 mA | 28 Vdc/9 mA | 1 |
| SSRINT660DC75 | 48 to 660 | 0.05 to 75 | 4 Vdc/6 mA | 28 Vdc/9 mA | 1 |

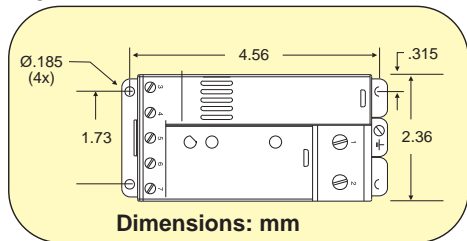
AC Control Specifications

| Model Number | Line Voltage Range (Vac) | Load Current Range (Arms) | Min Control Voltage and Current Draw | Max Control Voltage and Current Draw | Release Voltage (Vac) |
|----------------|--------------------------|---------------------------|--------------------------------------|--------------------------------------|-----------------------|
| SSRINT660AC50 | 48 to 660 | 0.05 to 50 | 100 Vac/5 mA | 280 Vac/15 mA | 20 |
| SSRINT660AC75 | 48 to 660 | 0.05 to 75 | 100 Vac/5 mA | 280 Vac/15 mA | 20 |
| SSRINT660AC100 | 48 to 660 | 0.05 to 100 | 100 Vac/5 mA | 280 Vac/15 mA | 20 |

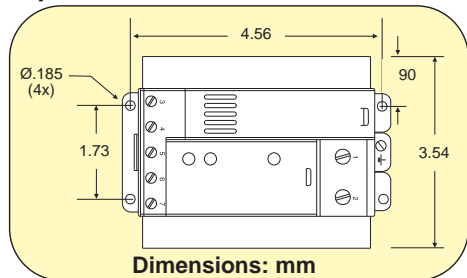
Derating Curve



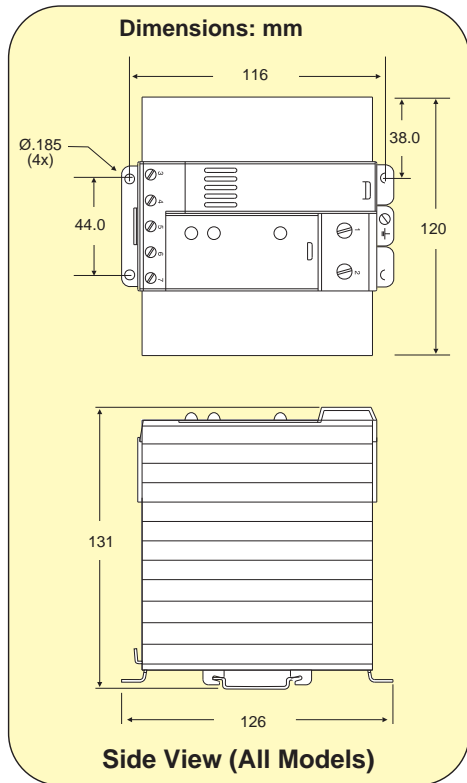
Top View 50 A



Top View 75 A



Top View 100 A



SSRINT660DC75, £129.

SSRINT660DC50, £83.

Shown smaller than actual size.

SSRINT660DC100, £253.

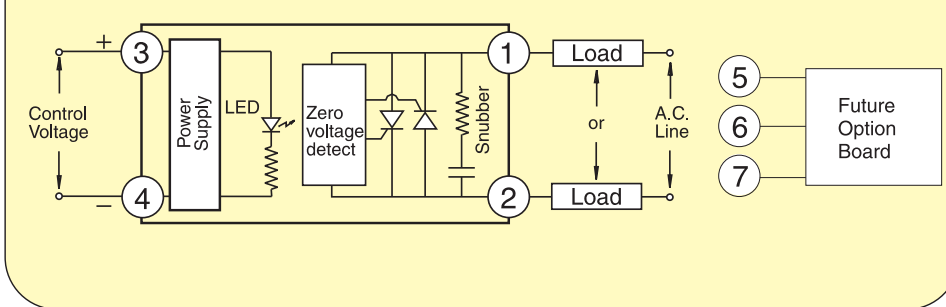
To Order (Specify Model Number)

MOST POPULAR MODELS HIGHLIGHTED!

| MODEL NO. | PRICE | DESCRIPTION | NOMINAL RATING |
|----------------|-------|----------------------------------|----------------|
| SSRINT660DC50 | £83 | DC control signal (660 Vac line) | 50 A |
| SSRINT660DC75 | 129 | | 75 A |
| SSRINT660DC100 | 253 | | 100 A |
| SSRINT660AC50 | 86 | AV control signal (660 Vac line) | 50 A |
| SSRINT660AC75 | 131 | | 75 A |
| SSRINT660AC100 | 256 | | 100 A |
| KAX-SEMI-100 | 20 | Semiconductor | 100 A |

Comes with complete operator's manual.
 Ordering Example: SSRINT660DC50, DC 50 A relay, £83.

SSRINT660 Series Schematic





UNITED STATES

www.omega.com

1-800-TC-OMEGA

Stamford, CT.

CANADA

www.omega.ca

Laval(Quebec)

1-800-TC-OMEGA

GERMANY

www.omega.de

Deckenpfronn, Germany

0800-8266342

UNITED KINGDOM

www.omega.co.uk

Manchester, England

0800-488-488

FRANCE

www.omega.fr

088-466-342

CZECH REPUBLIC

www.omegaeng.cz

Karviná, Czech Republic

596-311-899

BENELUX

www.omega.nl

0800-099-33-44



More than 100,000 Products Available!

• Temperature

Calibrators, Connectors, General Test and Measurement Instruments, Handheld Instruments for Temperature Measurement, Ice Point References, Indicating Labels, Crayons, Cements and Lacquers, Infrared Temperature Measurement Instruments, Recorders, Relative Humidity Measurement Instruments, PT100 Probes, PT100 Elements, Temperature & Process Meters, Timers and Counters, Temperature and Process Controllers and Power Switching Devices, Thermistor Elements, Probes and Assemblies, Thermocouples, Thermowells and Head and Well Assemblies, Transmitters, Thermocouple Wire, RTD Probes

• Flow and Level

Air Velocity Indicators, Doppler Flowmeters, Level Measurement, Magnetic Flowmeters, Mass Flowmeters, Pitot Tubes, Pumps, Rotameters, Turbine and Paddle Wheel Flowmeters, Ultrasonic Flowmeters, Valves, Variable Area Flowmeters, Vortex Shedding Flowmeters

• pH and Conductivity

Conductivity Instrumentation, Dissolved Oxygen Instrumentation, Environmental Instrumentation, pH Electrodes and Instruments, Water and Soil Analysis Instrumentation

• Data Acquisition

Auto-Dialers and Alarm Monitoring Systems, Communication Products and Converters, Data Acquisition and Analysis Software, Data Loggers Plug-in Cards, Signal Conditioners, USB, RS232, RS485 and Parallel Port Data Acquisition Systems, Wireless Transmitters and Receivers

• Pressure, Strain and Force

Displacement Transducers, Dynamic Measurement Force Sensors, Instrumentation for Pressure and Strain Measurements, Load Cells, Pressure Gauges, Pressure Reference Section, Pressure Switches, Pressure Transducers, Proximity Transducers, Regulators, Pressure Transmitters, Strain Gauges, Torque Transducers, Valves

• Heaters

Band Heaters, Cartridge Heaters, Circulation Heaters, Comfort Heaters, Controllers, Meters and Switching Devices, Flexible Heaters, General Test and Measurement Instruments, Heater Hook-up Wire, Heating Cable Systems, Immersion Heaters, Process Air and Duct, Heaters, Radiant Heaters, Strip Heaters, Tubular Heaters