

SANITARY THERMISTOR PROBES

Heavy-Duty, With M12 Connector



THS-H-M12 Series



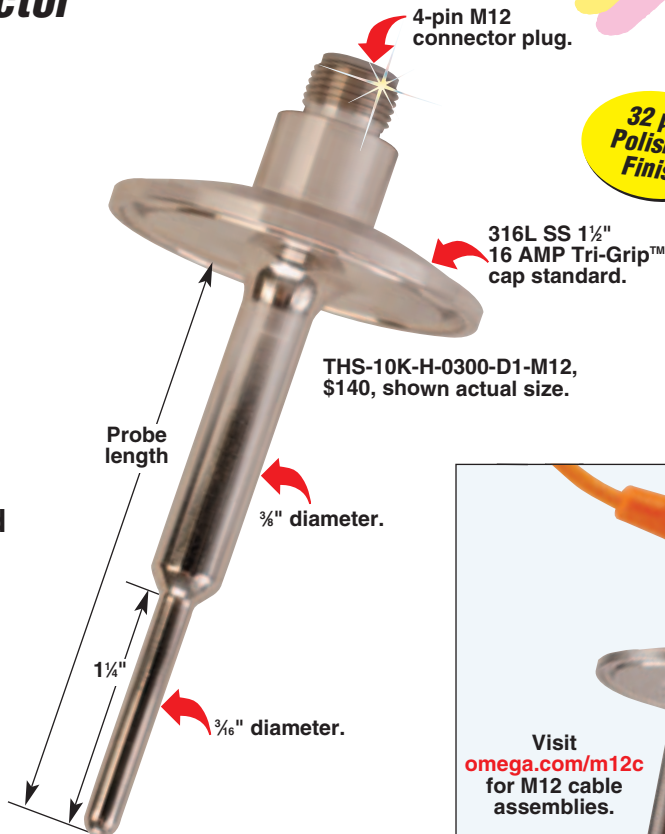
All Models

- ✓ Heavy-Duty Probe Design With Stepped Probe Stem for Additional Strength
- ✓ 1½" 16 AMP Tri-Grip™ (Tri-Clamp® Compatible) Fitting Standard
- ✓ 4-Pin M12 Male Connector Standard
- ✓ 316L SS Wetted Surfaces with 32 µin or Better Finish
- ✓ 10k Thermistor Element (44006) Standard
- ✓ -80 to 150°C (-112 to 302°F) Temperature Range

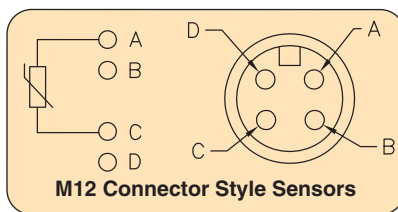
Options

- ✓ Fitting Styles
- ✓ Probe Lengths
- ✓ Thermistor Elements

The OMEGA® THS-H-M12 Series thermistor probe assemblies are available in standard lengths from 3 to 6", with standard 10 kΩ (44006) thermistor element. These heavy-duty probes have a ¾" diameter, which steps down to a ⅜" dia at the probe tip, for fast response and additional strength. Standard features include a 1½" 16 AMP Tri-Grip™ fitting and a 4-pin M12 male connector termination. Please consult sales for available options, including element types and curves, probe lengths, protection heads and sanitary fitting styles.



Provides Quick and Easy Installation in CIP and Sanitary Processes



Element Options

Sensor Code	Resistance @ 25°C	Element Series
2K	2252 Ω	44004
3K	3000 Ω	44005
5K	5000 Ω	44007
30K	30,000 Ω	44008

For other thermistor elements, change the model number from "10K" to the desired sensor code as shown in the table above, no additional cost.

MOST POPULAR MODEL HIGHLIGHTED!

To Order (Specify Model Number)						
Model Number	Resistance at 25°C	Element Series	Interchangeability (0 to 70°C)	Sheath Dia.	Probe Length	
THS-10K-H-0300-D1-M12	10,000 Ω	44006	±0.2°C	¼"	3"	
THS-10K-H-0400-D1-M12	10,000 Ω	44006	±0.2°C	¼"	4"	
THS-10K-H-0500-D1-M12	10,000 Ω	44006	±0.2°C	¼"	5"	
THS-10K-H-0600-D1-M12	10,000 Ω	44006	±0.2°C	¼"	6"	

Visit omega.com/m12c for M12C series cables with M12 connectors.

For probe lengths longer than 6", change "0600" in model number to the required length (eg, 12" = 1200, 9¼" = 0925)

Example: THS-10K-H-0400-D1-M12, 10,000 Ω thermistor sensor, 1½" 16 AMP Tri-Grip™ fitting, 4" length, heavy-duty probe, M12 style male connector,



SANITARY THERMISTOR PROBES

Standard Duty With M12 Connector

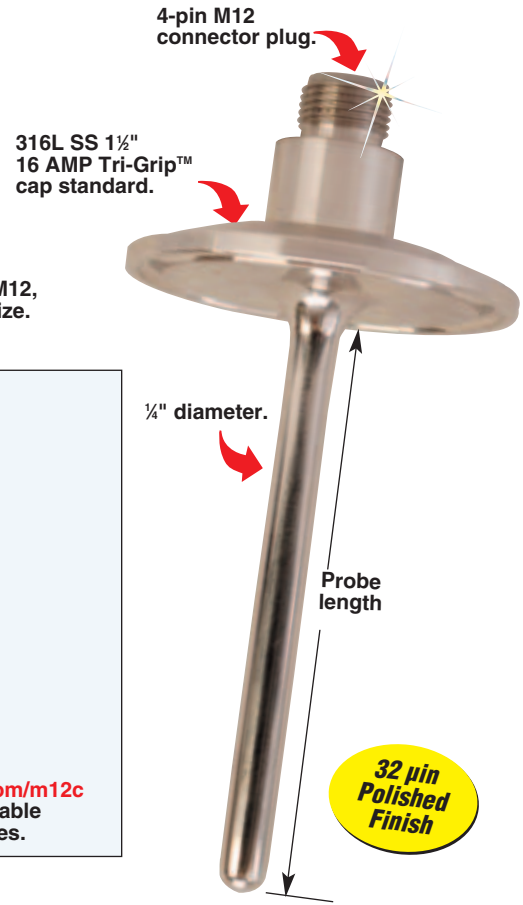


THS-S-M12 Series

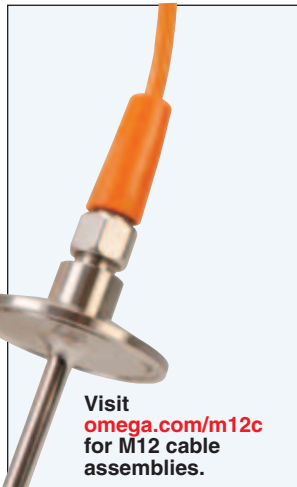
All Models



Provides Quick and Easy Installation in CIP and Sanitary Processes



THS-10K-S-0300-D1-M12, \$110, shown actual size.

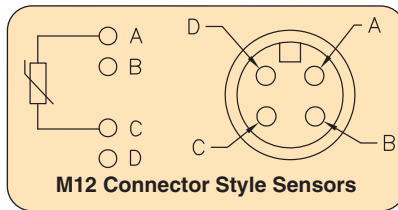


- ✓ Standard Duty 1/4" Probe Diameter
- ✓ 1 1/2" 16 AMP Tri-Grip™ (Tri-Clamp® Compatible) Fitting Standard
- ✓ 4-Pin M12 Male Connector Standard
- ✓ 316L SS Wetted Surfaces with 32 µm or Better Finish
- ✓ 10k Thermistor Element (44006) Standard
- ✓ -80 to 150°C (-112 to 302°F) Temperature Range

Options

- ✓ Fitting Styles
- ✓ Probe Lengths
- ✓ Thermistor Elements

The OMEGA® THS-S-M12 Series thermistor probe assemblies are available in standard lengths from 3 to 6", with standard 10 kΩ (44006) thermistor element. Standard features include a 1 1/2" 16 AMP Tri-Grip™ fitting and a 4-pin M12 male connector termination. Please consult sales for available options, including element types and curves, probe lengths, protection heads and sanitary fitting styles.



Element Options

Sensor Code	Resistance @ 25°C	Element Series
2K	2252 Ω	44004
3K	3000 Ω	44005
5K	5000 Ω	44007
30K	30,000 Ω	44008

For other thermistor elements, change the model number from "10K" to the desired sensor code as shown in the table above, no additional cost.

MOST POPULAR MODEL HIGHLIGHTED!

To Order (Specify Model Number)						
Model Number	Resistance at 25°C	Element Series	Interchangeability (0 to 70°C)	Sheath Dia.	Probe Length	
THS-10K-S-0300-D1-M12	10,000 Ω	44006	±0.2°C	1/4"	3"	
THS-10K-S-0400-D1-M12	10,000 Ω	44006	±0.2°C	1/4"	4"	
THS-10K-S-0500-D1-M12	10,000 Ω	44006	±0.2°C	1/4"	5"	
THS-10K-S-0600-D1-M12	10,000 Ω	44006	±0.2°C	1/4"	6"	

Visit omega.com/m12c for M12C series cables with M12 connectors.

For probe lengths longer than 6", change "0600" in model number to the required length (eg, 12" = 1200, 9 1/4" = 0925)

Example: THS-10K-S-0400-D1-M12, 10,000 Ω thermistor sensor, 1 1/2" 16 AMP Tri-Grip™ fitting, 4" length, standard duty probe, M12 style male connector.



omega.co.uk[®]

Your One-Stop Source for Process Measurement and Control!

Freephone 0800 488 488 | International +44(0) 161 777 6622 | Fax +44(0) 161 777 6622 | Sales@omega.co.uk

www.omega.co.uk



UNITED STATES

www.omega.com

1-800-TC-OMEGA
Stamford, CT.

UNITED KINGDOM

www.omega.co.uk

Manchester, England
0800-488-488
+44-(0)161-777-6611

CANADA

www.omega.ca

Laval(Quebec)
1-800-TC-OMEGA

FRANCE

www.omega.fr

0800-466-342

GERMANY

www.omega.de

Deckenfronn, Germany
0800-8266342

BENELUX

www.omega.nl

0800-099-33-44



More than 100,000 Products Available!

• Temperature

Calibrators, Connectors, General Test and Measurement Instruments, Handheld Instruments for Temperature Measurement, Ice Point References, Indicating Labels, Crayons, Cements and Lacquers, Infrared Temperature Measurement Instruments, Recorders, Relative Humidity Measurement Instruments, PT100 Probes, PT100 Elements, Temperature & Process Meters, Timers and Counters, Temperature and Process Controllers and Power Switching Devices, Thermistor Elements, Probes and Assemblies, Thermocouples, Thermowells and Head and Well Assemblies, Transmitters, Thermocouple Wire, RTD Probes

• Flow and Level

Air Velocity Indicators, Doppler Flowmeters, Level Measurement, Magnetic Flowmeters, Mass Flowmeters, Pitot Tubes, Pumps, Rotameters, Turbine and Paddle Wheel Flowmeters, Ultrasonic Flowmeters, Valves, Variable Area Flowmeters, Vortex Shedding Flowmeters

• pH and Conductivity

Conductivity Instrumentation, Dissolved Oxygen Instrumentation, Environmental Instrumentation, pH Electrodes and Instruments, Water and Soil Analysis Instrumentation

• Data Acquisition

Communication Products and Converters, Data Acquisition and Analysis Software, Data Loggers Plug-in Cards, Signal Conditioners, USB, RS232, RS485, Ethernet and Parallel Port Data Acquisition Systems, Wireless Transmitters and Receivers

• Pressure, Strain and Force

Displacement Transducers, Dynamic Measurement Force Sensors, Instrumentation for Pressure and Strain Measurements, Load Cells, Pressure Gauges, Pressure Reference Section, Pressure Switches, Pressure Transducers, Proximity Transducers, Regulators, Pressure Transmitters, Strain Gauges, Torque Transducers, Valves

• Heaters

Band Heaters, Cartridge Heaters, Circulation Heaters, Comfort Heaters, Controllers, Meters and Switching Devices, Flexible Heaters, General Test and Measurement Instruments, Heater Hook-up Wire, Heating Cable Systems, Immersion Heaters, Process Air and Duct, Heaters, Radiant Heaters, Strip Heaters, Tubular Heaters